



SXL4



TYPICAL APPLICATIONS	Coffee machines, washing machines
FUNCTIONS	<ul style="list-style-type: none"> ■ SPST, momentary or not ■ SPST, illuminated or not ■ DPST, momentary or not ■ DPST, illuminated or not
CYCLE No.	50.000
CUT OUT	19x13 mm
AMBIENT TEMPERATURE	125 °C
GWT	850 °C
GWT NO FLAME (<2sec)	750 °C

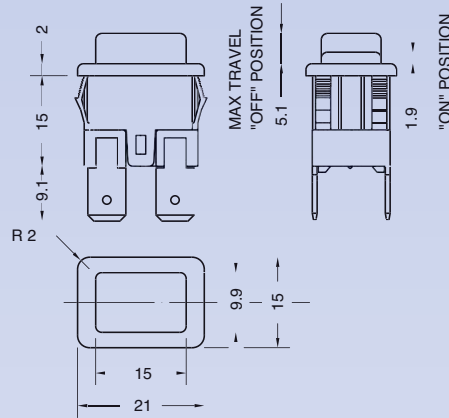
S X L 4 ?

?

DRAWING

TERMINAL

1 FLAT



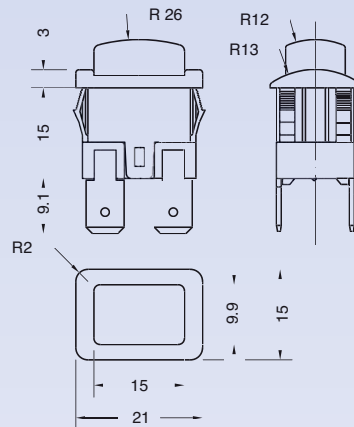
1 Drawing 1 - 2 - 3 Vertical terminal 6.3x0.8



A Drawing 1 Horizontal terminal 6.3x0.8



2 BOWL



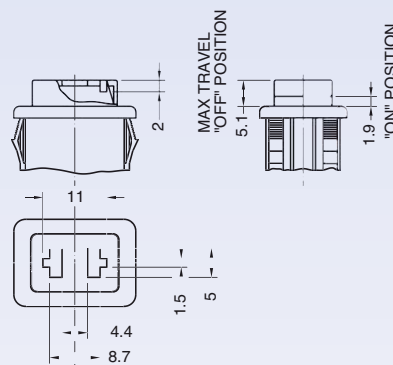
2 Drawing 1 - 2 - 3 Vertical terminal 4.8x0.8



B Drawing 1 - 3 Horizontal terminal 4.8x0.8

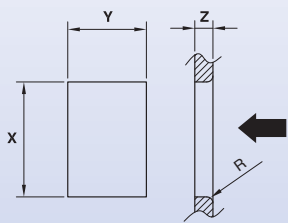


3 CUSTOMIZABLE

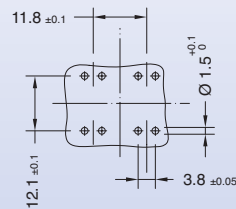
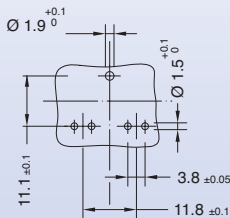


4 Drawing 1 - 2 Vertical PCB terminal





Z	Y	X
0,5-1,2	12,9 $^{+0,1}_0$	19,0 $^{+0,2}_0$
1,2-2,0	12,9 $^{+0,1}_0$	19,3 $^{+0,2}_0$
2,0-3,0	12,9 $^{+0,1}_0$	19,6 $^{+0,2}_0$



S	X	L	4	DRAWING	TERMINAL	FUNCTION	RATING	BODY COLOUR	BUTTON COLOUR	MARKING COLOUR	MARKING	0	0	0	W

?	?	?	?	?	?	?	0	0	0	W
---	---	---	---	---	---	---	---	---	---	---

FUNCTION **RATING** **BODY COLOUR** **BUTTON COLOUR** **MARKING COLOUR** **MARKING**

1

2

4

6 No drawing 3

7

8 No drawing 3

H

16 (4) A / 250 VAC
 10 (6) A / 250 VAC - 5E4
 T125/55 °C
 EN 61058

16 A - 125 / 250 VAC
 3/4 HP - 125 / 250 VAC
 T100 °C
 UL 1054

9

12 (8) A / 250 VAC - 5E4
 T85/55 °C
 EN 61058

1 black

2 white

X ? custom

Drawing 1 - 3

1 black

2 white

Drawing 1 - 2

M white

N black

R red

0 none

1 black

2 white

X ? custom

0

1

R

X ?

ILLUMINATED ✨

G red

H orange

E green

L white

F blue

X ? custom